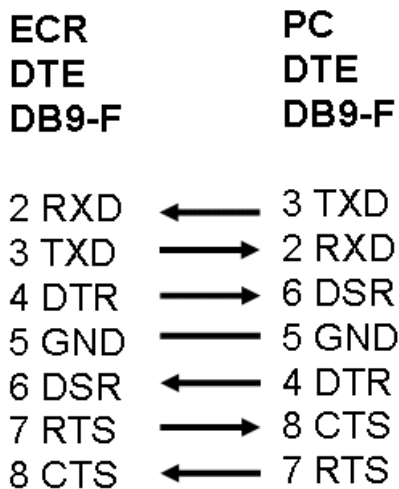


Cable Diagrams

The following are cable diagrams for the Casio, Sam4s, Sharp, and TEC cash registers. These registers have the ability to communicate via direct connect or via modem. If users wish to purchase communication cables, they should contact their cash register dealer.

Casio Cable Diagrams

The cabling specifications for the Version 7 Polling CASIO QT-6X00, TE-3000, TE-4500, TE-7000, and TE-8500 are listed below. Modem communications can be conducted using a standard 9 to 25 pin modem cable. The cable diagrams listed below are for direct RS232 communications.

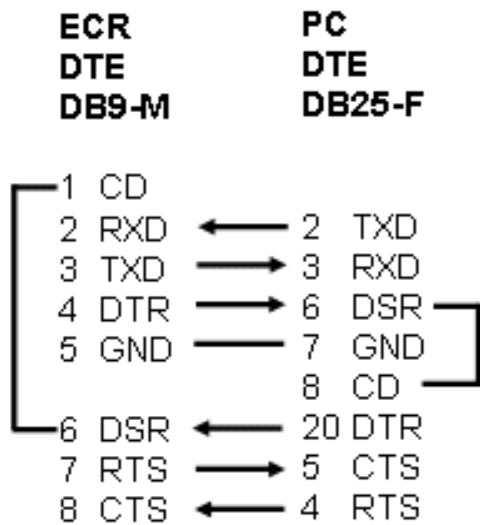


Sam4s Cable Diagrams

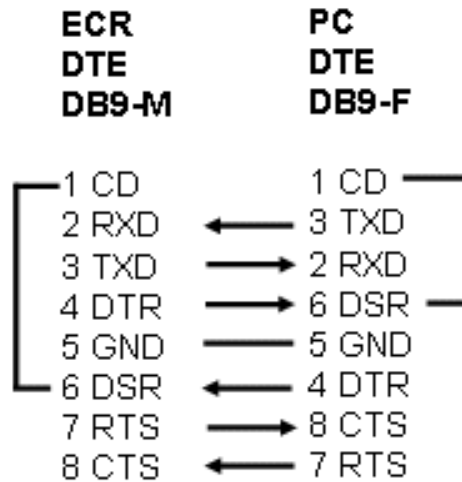
The cabling specifications for V7 and the Sam4s (285, 52xxM, 65x, 1000, 7000, 2000, 5x0) are identical to V6 and the Sam4s 6500.

Note: The SPS 2000 & 520/530 Ports 1 & 2 are identical to the 7000 except the register end should be female. Ports 3 and 4 follow the 7000 Port 2 pin outs (rj45 ports).

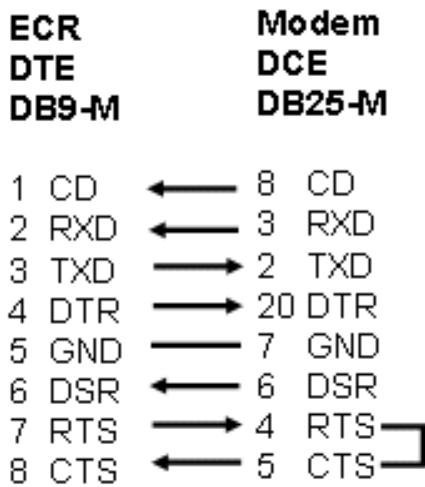
Samsung 7000 Port 1



Samsung 7000 Port 1



Samsung 7000 Port 1



Note: Jumper 4&5 on Modem
DB25-M

Samsung 7000 Port 2

ECR		PC
DTE		DTE
RJ45-M		DB25-F

1	CD		
2	DSR	←	20 DTR
3	TXD	→	3 RXD
4	RXD	←	2 TXD
5	RTS	→	5 CTS
6	CTS	←	4 RTS
7	GND	→	7 GND
8	DTR	→	6 DSR

Samsung 7000 Port 2

ECR		PC
DTE		DTE
RJ45-M		DB9-F

1	CD		
2	DSR	←	4 DTR
3	TXD	→	2 RXD
4	RXD	←	3 TXD
5	RTS	→	8 CTS
6	CTS	←	7 RTS
7	GND	→	5 GND
8	DTR	→	6 DSR

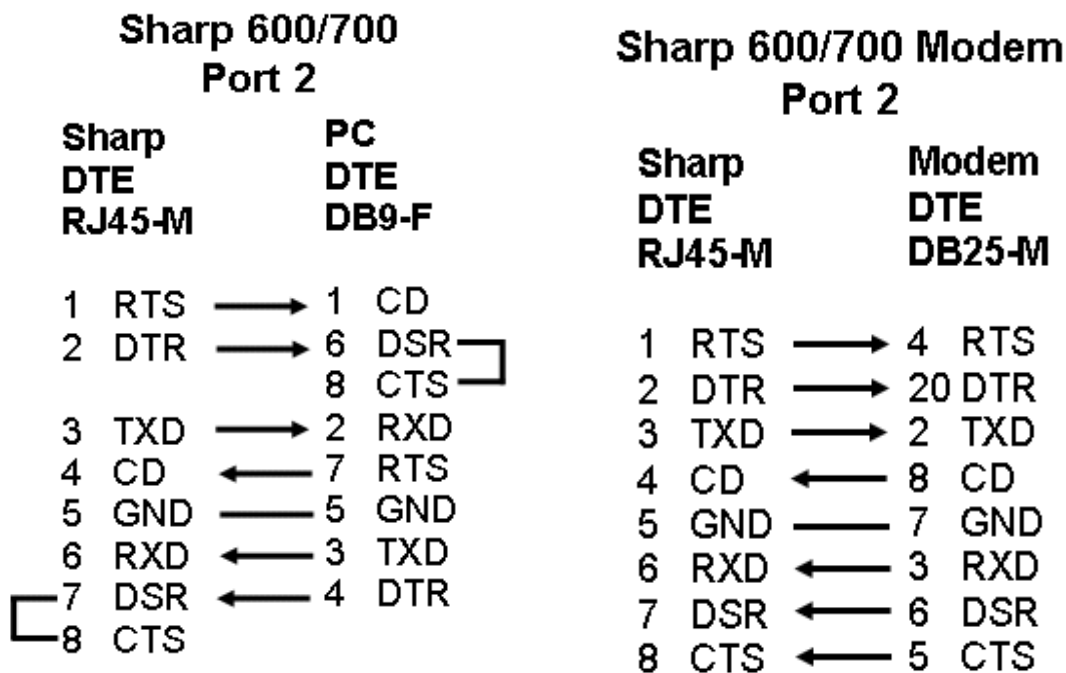
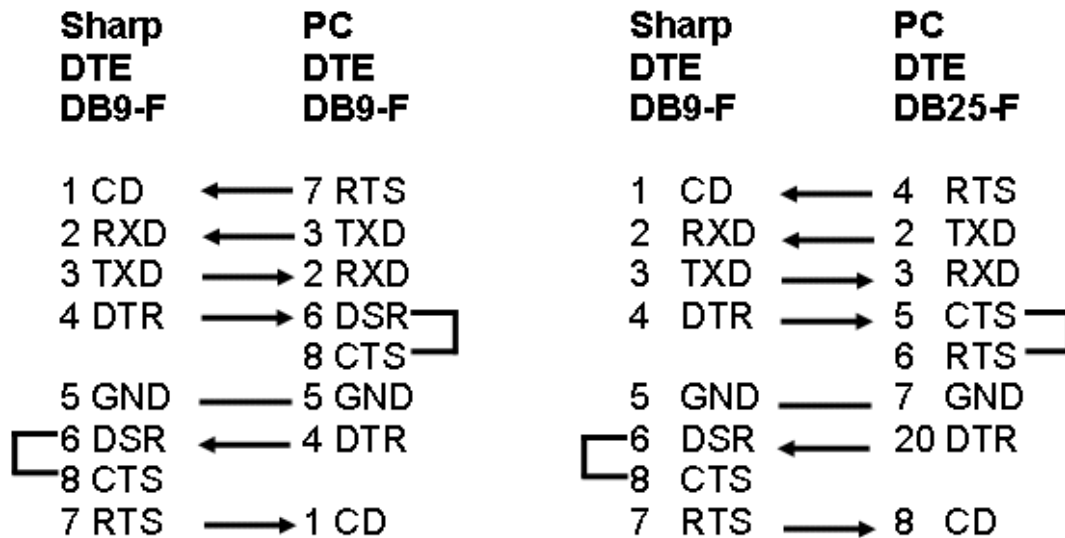
Samsung 7000 Port 2

ECR		Modem
DTE		DCE
RJ45-M		DB25-M

2	DSR	←	6 DSR
3	TXD	→	2 TXD
4	RXD	←	3 RXD
5	RTS	→	4 RTS
6	CTS	←	5 CTS
7	GND	→	7 GND
8	DTR	→	20 DTR

Sharp Cable Diagrams

All Sharp (410/420/520/530/600/700/8X0) DB9 RS232 cable diagrams are identical. *Note: TCP/IP communications on the 600/700/8X0/3500 are follow standard networking cabling.*



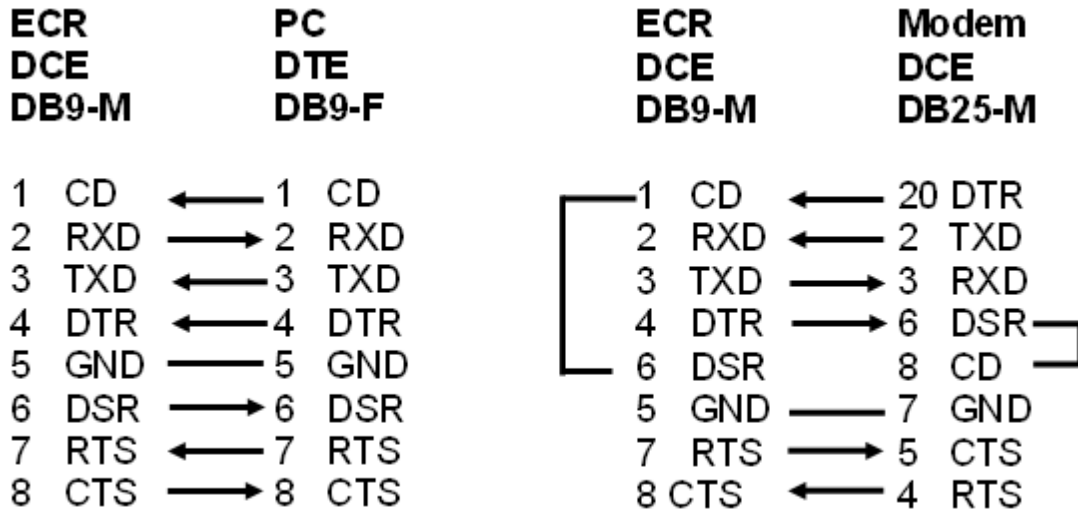
**Sharp
DTE
DB9-F**

**Modem
DCE
DB25-M**

1	CD	←	8	CD
2	RXD	←	3	RXD
3	TXD	→	2	TXD
4	DTR	→	20	DTR
5	GND	—	7	GND
6	DSR	←	6	DSR
7	RTS	→	4	RTS
8	CTS	←	5	CTS

TEC Cable Diagrams

The V7 Polling TEC 1650 registers (DB9 RS232) cable diagrams are identical to the V6 cabling diagrams.



TCP/IP Cable Diagrams

To connect registers that support native TCP/IP communications to the PC, dealers can use one of the following:

- A hub connecting the PC and register
- A network connection on an existing network
- A router with a static IP address
- Cross-over cables